


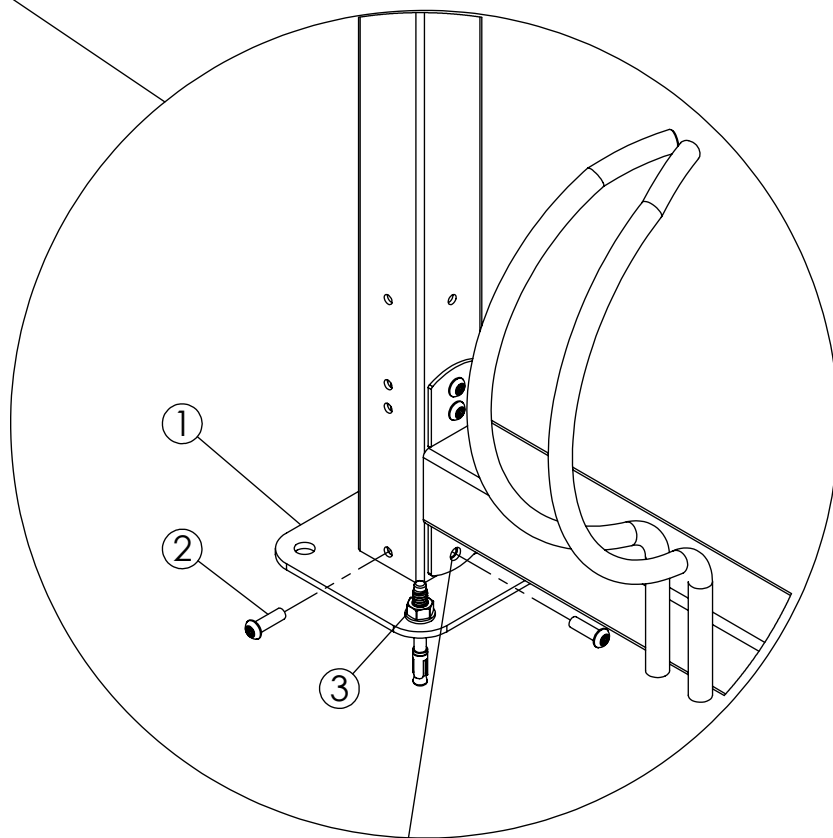
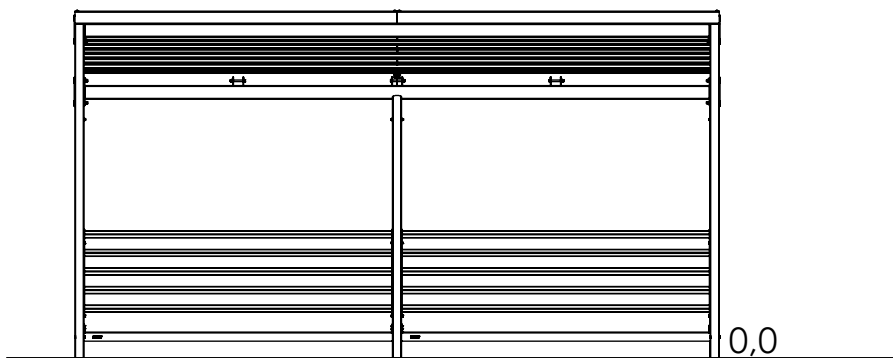


Description MA	Item Number	Qty
620x200x157	8001374	1
M6S 8.8 M10x80	8008388	2
Ø11x24x2	8008850	4
M6M M10	8008796	2



**Foundation**  
**MASW35952**  
**1 ( 3 )**

	HB		AA	2022-10-31	2
---	----	---	----	------------	---



1



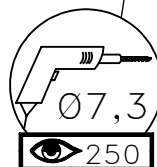
1

2

3

2

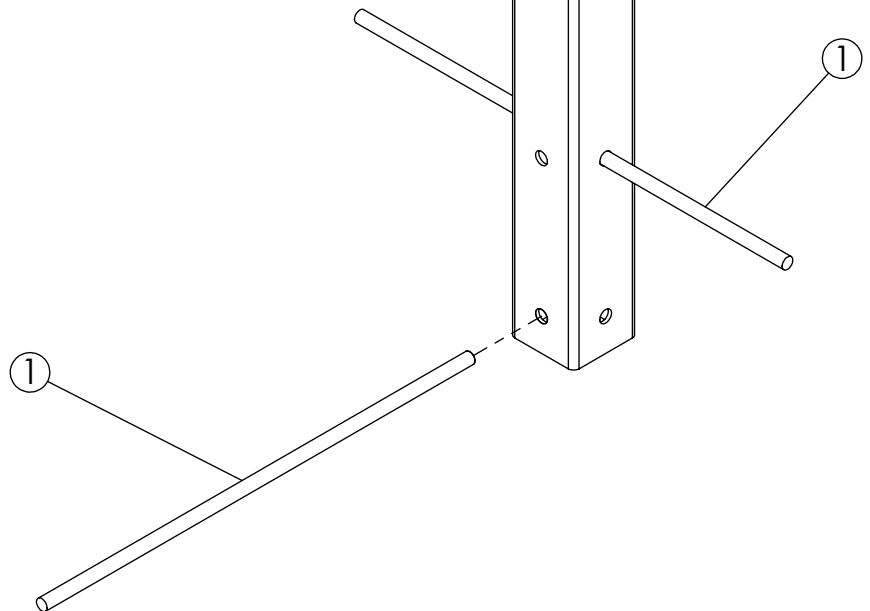
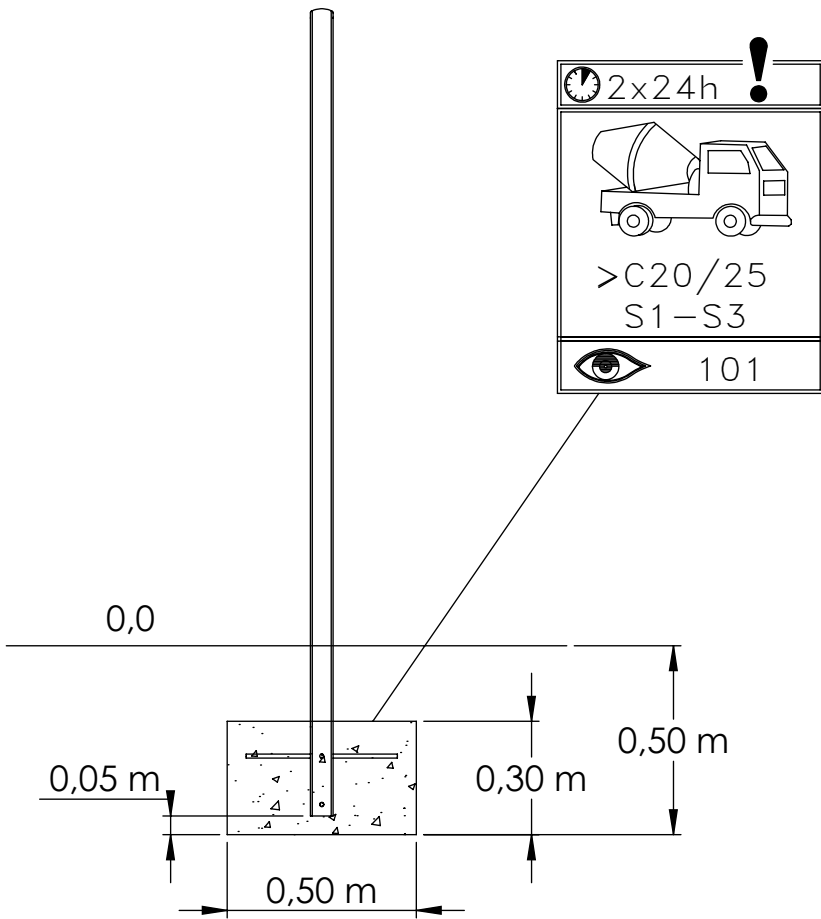
3x



**KÄLLS**

Foundation  
**MASW35952**  
2 ( 3 )

NR.	Description MA	Item Number	Qty
1	150 x 193 mm	8048659	1
2	KTS-GF M8x25 mm	8008506	15
3	M10x80 mm	8008561 (303005)	10



**KÄLLS**  
 Foundation  
**MASW35952**  
 3 ( 3 )

	HB		AA	2022-10-31	2
--	----	--	----	------------	---

NR.	Description MA	Item Number	Qty
1	Ø10	8019919	2